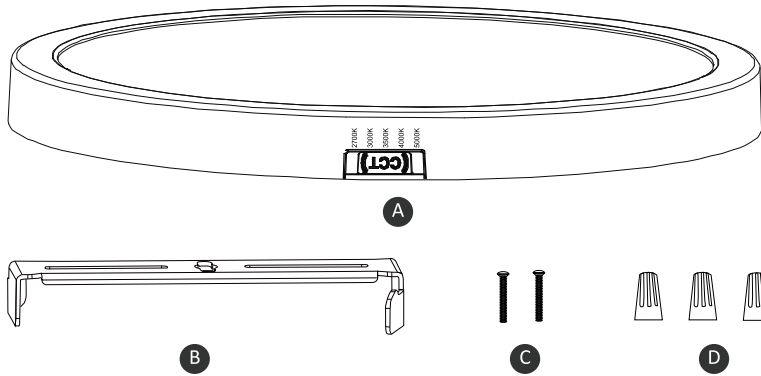


13Inch Flush Mount Panel Installation Instructions



PACKAGE CONTENTS

PART	DESCRIPTION	QUANTITY
A	13Inch Flush Mount Panel	1
B	Mounting Bracket	1
C	Screws	2
D	Wire Nuts	3

DIMMER RECOMMENDATION

This unit may operate on other dimmers we haven't tested with. (Input 120V 60Hz)

LEVITON	6672, RNL06, IPL06, DSL06, 6674, VPI06-1LZ
LUTRON	GT-600P, DVCL-153P, TGCL-153PH-LA, MSCL-OP153M, SLV-600P-AL, PD-6WCL DV-600PR-WH, MACL-153M//MA-R, SCL-153PH-WH, CTCL-153PDH-WH, TG-600PR-WH, S-600PR-WH

UNPACKING

Thoroughly inspect the fixture for freight damage. Freight damage should be reported to the carrier.

IMPORTANT

Please read carefully and save these instruction, as you may need them at a later date. When using electrical equipment, basic safety precautions should always be followed as below:

READ AND FOLLOW BELOW SAFETY INSTRUCTIONS

GENERAL: All electrical connections must be in accordance with local and National Electrical Code (N.E.C) standards. If you are unfamiliar with connections obtain the services of a qualified electrician.

WARNING

- Risk of fire or electric shock.
- Disconnect main power at fuse or circuit breaker before installing or servicing the fixture.
- Do not make or alter any open holes in an enclosure of wiring or electrical components during Installation.
- To prevent wiring damage or abrasion do not expose wiring to edges of sheet metal or other sharp objects.
- This device is not intended for use with emergency exit.
- This fixture is 5%-100% dimmable. Please refer to a compatible dimmer list.
- Suitable for Wet Locations.
- To prevent electrical shock, please wear rubber shoes and work gloves when installing the fixture.

FLUSH MOUNT

1. Make sure power is OFF and the J-BOX is securely mounted before installing the fixture, see Fig1.
2. Rotate the bracket to remove the mounting bracket from the unit, see Figure 2.
3. Refer to the hole position on the bracket and do the matching, Hold Mounting Bracket up to junction box. Screws mounting bracket to j-box, see Fig3.
4. Push the switch to select the correct color temperature, see Fig4.
5. Connect the power wires with the wires of the fixture correctly by using the wire nuts. Attach white to white, black to black, green to the ground wire, see Fig5.
6. After installing the mounting bracket, push the product in the direction of the mounting bracket hole position, see Fig6.

