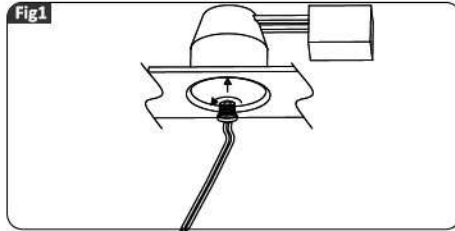
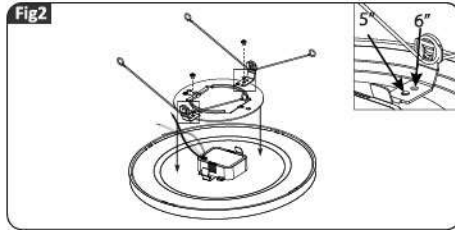


## RETROFIT

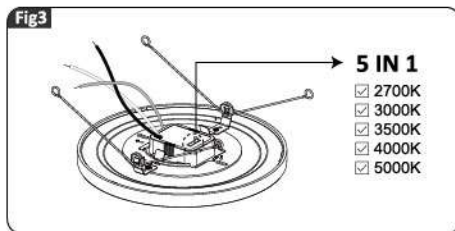
- 1.** Make sure power is OFF before installation. Screw the E26 adapter into the socket base in the recessed can housing, see Fig1.



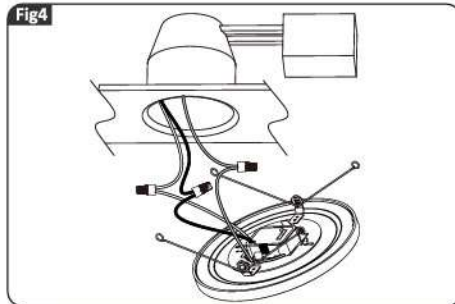
- 2.** Refer to the hole position 5" or 6" on the bracket and do the matching to springs. Attach them with screws 2. Snap the bracket into the fixture back, see Fig2.



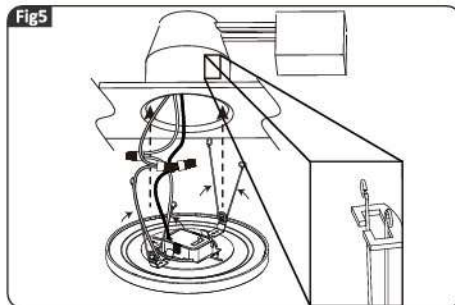
- 3.** Select lamp color desired with the CCT switch, see Fig3.



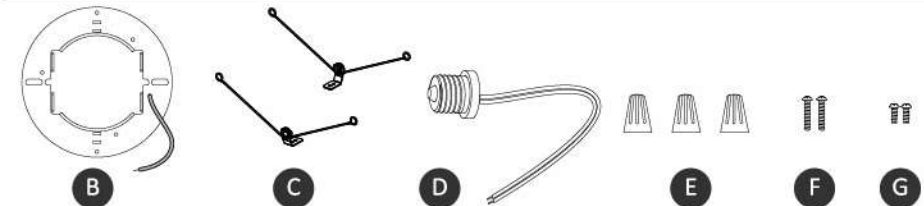
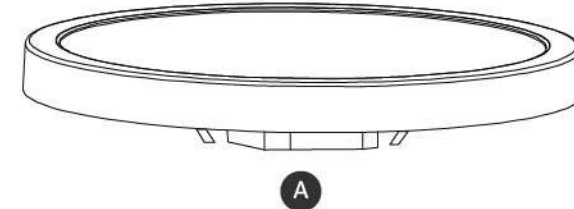
- 4.** Connect E26 adapter wires and ground wire to wires on fixture/bracket with wire nuts. Attach white to white, black to black, and green wire to green wire as grounding connection, see Fig4.



- 5.** Squeeze spring clips together, push fixture up into can until flush with ceiling, see Fig5.



# 5/7/9Inch Flush Mount Panel Installation Instructions



## PACKAGE CONTENTS

SURFACE MOUNT			RETROFIT INSTALLATION		
PART	DESCRIPTION	QUANTITY	PART	DESCRIPTION	QUANTITY
A	5/7/9Inch Flush Mount Panel	1	A	5/7/9Inch Flush Mount Panel	1
B	Mounting Bracket	1	B	Mounting Bracket	1
C	Wire Nuts	3	C	Springs	2
F	Screws 1	2	D	E26 Adapter	1
			E	Wire Nuts	3
			G	Screws 2	2

## DIMMER RECOMMENDATION

This unit may operate on other dimmers we haven't tested with. (Input 120V 60Hz)

<b>LEVITON</b>	6672, 6674, PD-6WCL, DSL06, MACL-153M//MA-R
<b>LUTRON</b>	TG-600PR-WH, S-600PR-WH, CTCL-153PDH-WH, TGCL-153PH-LA, SLV-600P-AL DV-600PR-WH, SCL-153PH-WH, GT-600P, DVCL-153P, RNL06, MSCL-OP153M, IPL06

## IMPORTANT

Please read carefully and save these instruction,as you may need it in the future.  
When using electric equipment,basic safety precautions should always be followed as below:

### READ AND FOLLOW SAFETY INSTRUCTIONS

- 1.If you are unfamiliar with proper electrical wiring connections,obtain the service of a qualified electrician.
- 2.These luminaires(fixtures) are designed to meet the latest NEC requirements and are listed in full compliance with UL 1598.
- 3.Before attempting installation, check your local electrical code, as it sets the wiring standards for your locality.

## WARNING

- Risk of fire or electric shock.
- Disconnect main power at fuse or circuit breaker before installing or servicing the fixture.
- Do not make or alter any open holes in an enclosure of wiring or electrical components during kit Installation.
- To prevent wiring damage or abrasion do not expose wiring to edges of sheet metal or other sharp objects.
- This device is not intended for use with emergency exit.
- This fixture is 10%-100% dimmable. Please refer to a compatible dimmer list.
- Suitable for Damp Locations.
- To prevent electrical shock, please wear rubber shoes and work gloves when installing the fixture.

### UNPACKING

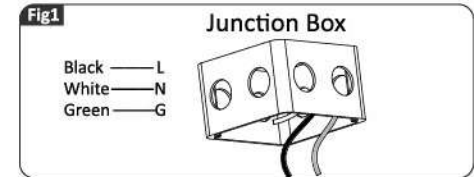
Thoroughly inspect the fixture for freight damage. Freight damage should be reported to the carrier.

### INSTALLATION TYPES

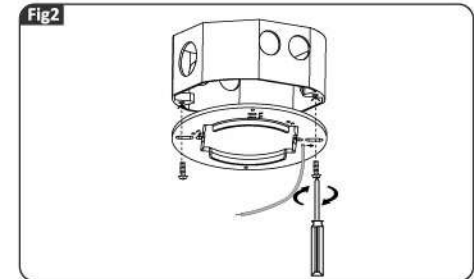
- SURFACE MOUNT
- RETROFIT

## SURFACE MOUNT

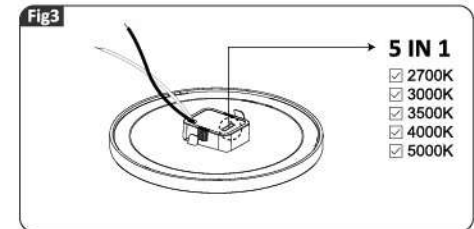
1. Make sure power is OFF and the J-BOX is securely mounted before installing the fixture, see Fig1.



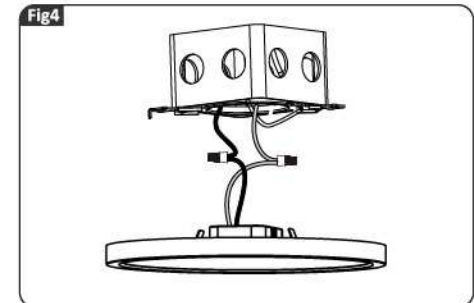
2. Refer to the hole position on the bracket and do the matching to J-Box. Attach them with screws 1, see Fig2.



3. Select lamp color desired with the CCT switch, see Fig3.



4. Connect supply wires to wires on fixture/ bracket with wire nuts. Attach white to white, black to black, and green wire to green wire as grounding connection, see Fig4.



5. Squeeze fixture clips, snap into the bracket until flush with ceiling, see Fig5.

