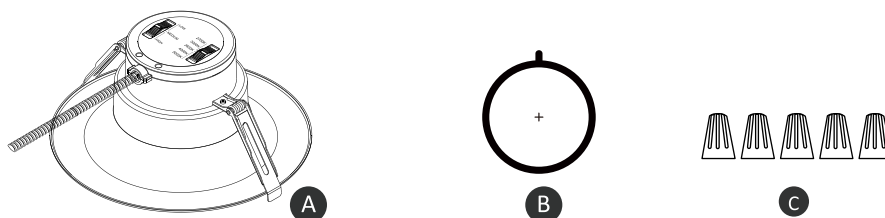


LED Recessed Commercial Grade Downlight Installation Instructions



PACKAGE CONTENTS

PART	DESCRIPTION	QUANTITY
A	(6inch or 8inch or 10inch) commercial grade downlight	1
B	Hole cutout card	1
C	Wire nuts	5

DIMMING INFORMATION

This recessed downlight is suitable for use in dimming circuits. For 100% to 10% light control, use with an LED-compatible dimmer.

LUTRON	RMJS-8T-DV-B, Diva DVSTV, MS-Z101-WH, DVSTV-WH	LEGRAND	RH4FBL3PW
---------------	--	----------------	-----------

⚠ SAFETY INFORMATION

WARNING: These products may represent a possible shock or fire hazard if improperly installed or attached in any way. Products be installed in accordance with these instructions, current electrical codes, and/or current National Electric Code(NEC). Disconnect power to the unit prior to installation.

WARNING: To reduce risk of fire, electric shock, or injury to persons.

- Read all installation instructions before beginning. If you have any doubts about how to install this lighting fixture, or if the fixture fails to operate completely, consult a qualified electrician to ensure correct branch circuit conductor.
- Always be sure that power supply is turned off at fuse box or circuit breaker before installing, cleaning, or servicing the fixture.
- This product must be installed in accordance with the applicable installation code by a person familiar with the construction and operation of the product and the hazards involved.
- To reduce the risk of fire, electric shock or injury to persons, do not make or alter any open holes in a wiring enclosure or in any electrical components during kit installation.
- To prevent wiring damage or abrasion, do not expose wiring to edges of sheet metal or other sharp objects. There are no serviceable parts inside the fixture.
- Suitable for Wet Locations.
- Type IC Rated. Suitable for contact with insulation.
- The National Electric Code (NEC) does not permit cords to be concealed where damage to the cord's insulation may go unnoticed. To prevent fire damage, do not run cord behind walls, ceilings, soffits, or cabinets where it may be inaccessible for examination. Cords should be visually examined periodically and immediately replace when any damage is noted.
- Do not alter driver junction box in any manner.
- Fixture may become hot during operation. Always ensure power is off and the fixture has cooled down before performing any adjustments.
- Do not install any luminaire near a heat source.
- Do not exceed the nominal supply voltage or amperage ratings.

SAVE THESE INSTRUCTIONS. For safest operation, read and become familiar with complete installation instructions prior to use. Pay close attention to this manual and stay within its guidelines when using this product.

CAUTION

- All parts must be used as indicated in this manual. Do not substitute any parts, leave parts out, or use parts that are worn out or broken. Failure to obey this instruction could invalidate the ETL certification.
- LEDs emit bright light, Avoid looking directly at the light source.

PREPARTION

Before beginning assembly, installation or operation of product, make sure that all parts are present. If any part is missing or damaged, do not attempt assemble, install or operate the product. Contact customer service for replacement parts .

Tools required for assembly (not included): Ladder, safety glasses and drywall saw. Estimated assembly time: 15~20 minutes per fixture.

INSTALLATION STEPS:

WARNING

Turn off electricity at main fuse box (or circuit breaker box) before beginning installation by removing fuse (or switching off circuit breaker).

Be careful not to damage or cut the wire insulation (covering) during fixture installation. Do not permit power cord or housing to contact any surface having a sharp edge. To do so may damage or cut the wire insulation, which could cause serious injury or death from electric shock.

This fixture require 120-277V power input. The installer must confirm the input power at the source prior to installation.

Step 1: Turn off the power before installation. Remove the existing fixture if applicable. Determine the location and necessary hole cutout diameter using the supplied table and cut the ceiling hole with the listed approximate diameter, see Fig1.

Step 2: Choose desired CCT & Wattage by simply switching the switch, see Fig2.

Step 3: Attach the carabiner safety clip to the existing fixture housing , see Fig3.

Step 4: Connect AC and dimming supply cables inside the hardwire Junction Box(not included) by using 5 wire nuts in the following manner: black to black, white to white, pink to pink or grey, purple to purple, and green-earth to ground wire.

Step 5: Push the downlight spring loaded clips upwards and insert the base into the mounting hole. Release the clips and the fixture will grip flush with the ceiling/drywall.

Step 6: Turn on the power to confirm the fixture is working properly.

HOLE SIZE

6inch: 6 19/64" (160mm)

8inch: 8 5/64" (205mm)

10inch: 8 31/32" (228mm)

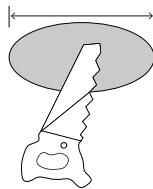


Fig1

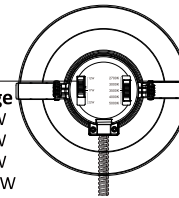
Selectable wattage

6inch: 12W-17W-22W

8inch: 17W-24W-30W

32W-42W-52W

10inch: 22W-30W-38W



Selectable CCT

2700K

3000K

3500K

4000K

5000K

Fig2

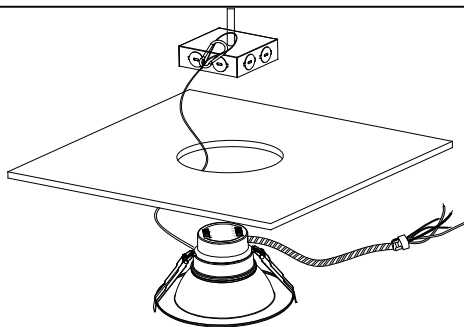


Fig3

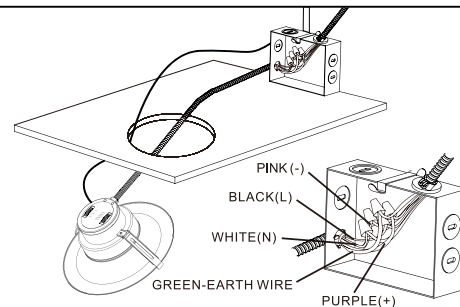


Fig4

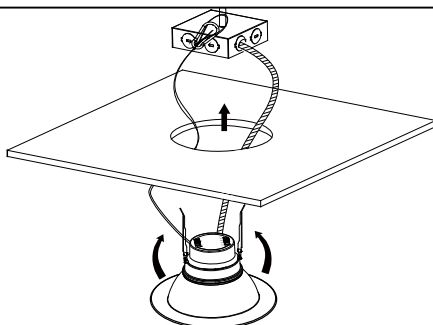


Fig5

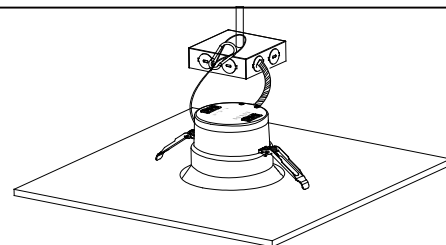


Fig6