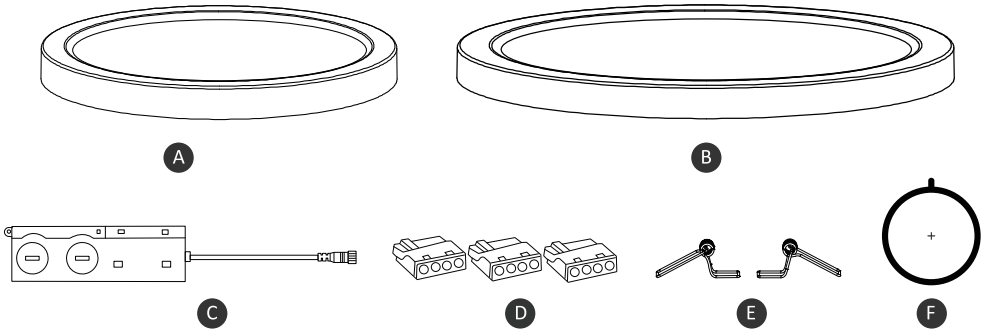


LED Flush Mount Installation Instructions



PACKAGE CONTENTS

PART	DESCRIPTION	QUANTITY	PART	DESCRIPTION	QUANTITY
A	5inch led flush mount	1	B	7inch led flush mount	1
C	J-Box driver	1	C	J-Box driver	1
D	Connector	3	D	Connector	3
E	Spring clip	2	E	Spring clip	2
F	Hole cutout card	1	F	Hole cutout card	1

DIMMER RECOMMENDATION

This unit may operate on other dimmers we haven't tested with.(Input 120V 60Hz)

LEVITON	6672, 6674, PD-6WCL, DSL06, MACL-153M//MA-R
LUTRON	TG-600PR-WH, S-600PR-WH, CTCL-153PDH-WH, TGCL-153PH-LA, SLV-600P-AL DV-600PR-WH, SCL-153PH-WH, GT-600P, DVCL-153P, RNL06, MSCL-OP153M, IPL06

IMPORTANT

Please read carefully and save these instruction, as you may need them at a later date. When using electrical equipment, basic safety precautions should always be followed as below:

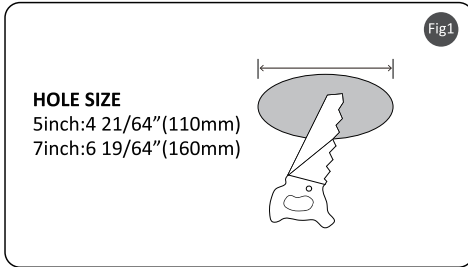
READ AND FOLLOW BELOW SAFETY INSTRUCTIONS

GENERAL: All electrical connections must be in accordance with local and National Electrical Code (N.E.C)standards. If you are unfamiliar with connections obtain the services of a qualified electrician.

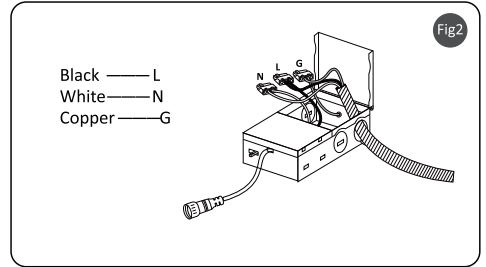
- Risk of fire or electric shock.
- Disconnect main power at fuse or circuit breaker before installing or servicing the fixture.
- Do not make or alter any open holes in an enclosure of wiring or electrical components during kit Installation.
- To prevent wiring damage or abrasion do not expose wiring to edges of sheet metal or other sharp objects.
- This device is not intended for use with emergency exit.
- This fixture is 5%-100% dimmable. Please refer to a compatible dimmer list.
- Suitable for Wet Locations.
- To prevent electrical shock, please wear rubber shoes and work gloves when installing the fixture.

INSTALLATION STEPS

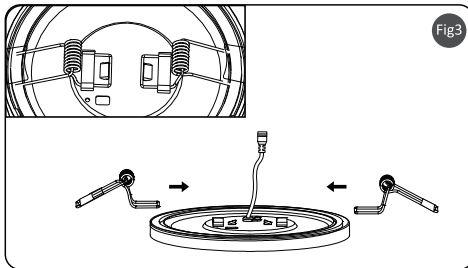
1. Turn off the power before installation. Remove the existing fixture if applicable. Determine the location and necessary hole cutout diameter using the supplied table and cut the ceiling hole with the listed approximate diameter, see Fig1.



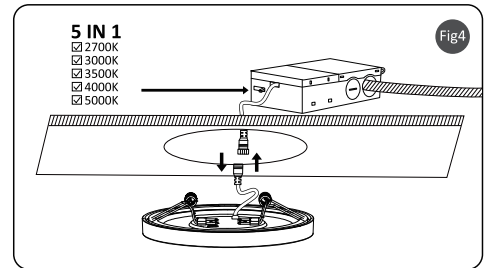
2. Open the J-Box cover and remove the appropriate knockout(s) on the side panel. Install the appropriate cable clamp(s) (not included) and insert the electrical supply cable through the cable clamp. Connect the supply wires to the fixture wires by using 3 connectors. Attach white to white, black to black, copper to the ground wire, see Fig2.



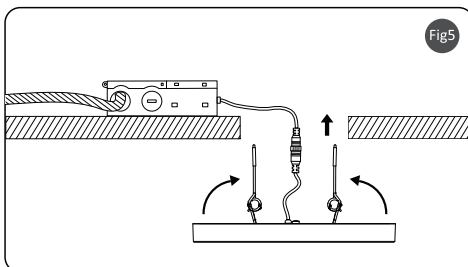
3. The spring passes through the vacancy in parallel to the direction and position, and the convex point is stuck, see Fig3.



4. Insert J-Box through the mounting hole and secure it, connect the fixture power cable to the J-Box. Select lamp color desired with the CCT switch, see Fig4.



5. Push the spring-loaded clips into the mounting hole upwards and insert the fixture into it. Release the clips and the fixture will be pulled flush to the ceiling, see Fig5.



6. Turn on the power after installation, check the fixture can work well, see Fig6.

