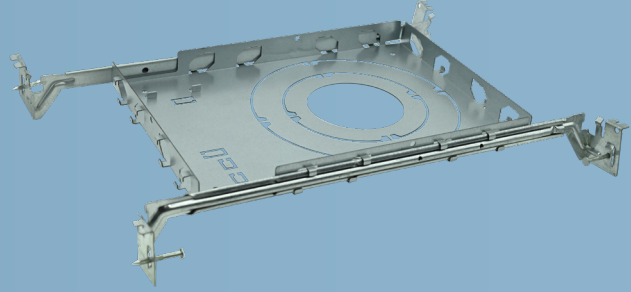


Catalog Number :      Project Name :      Note :      Date :      Type :

### DESCRIPTION

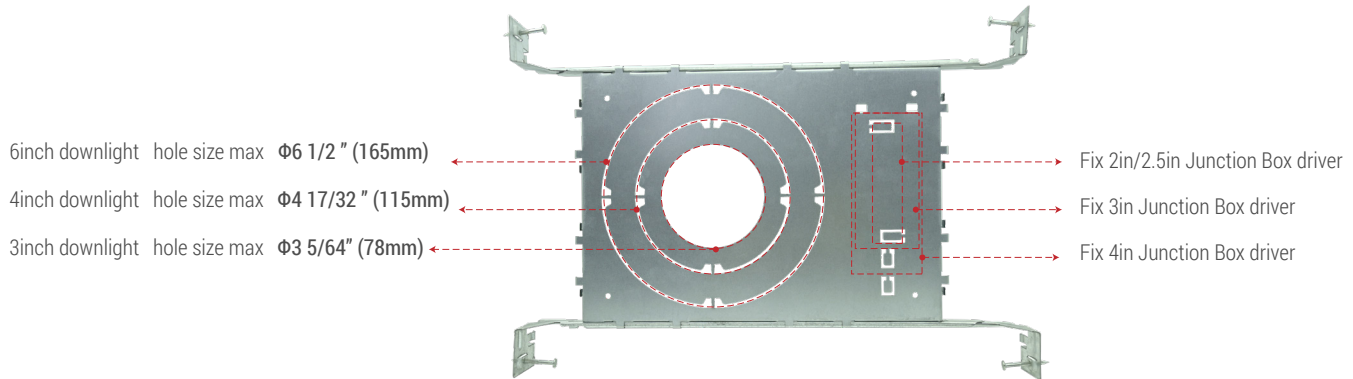
New Construction mounting plate is made of galvanized iron.  
Compatible with 3 types of hole size.  
Equipped with a power card slot, easy to install.  
Suitable for both new construction joist and T-Grid applications.



### Basic parameter

Product name	<b>New Construction Plate with Adjustable Bars for Downlight</b>	Dimension	<b>14.18"*10.48"*1.46"/ 360.25*266.21*37mm</b>
Installation method	<b>Recessed</b>	Package size	<b>24.21"*14.76"*11.02"/ 615*375*280mm(10PCS)</b>
Suitable for light type	<b>3/4/6inch downlight</b>	Material	<b>Galvanized iron</b>
Hole size	<b>Φ3 5/64"   Φ4 17/32"   Φ6 1/2 "</b>	N.W.	<b>500g ±50g</b>

### Diagrammatic sketch



### Dimension

